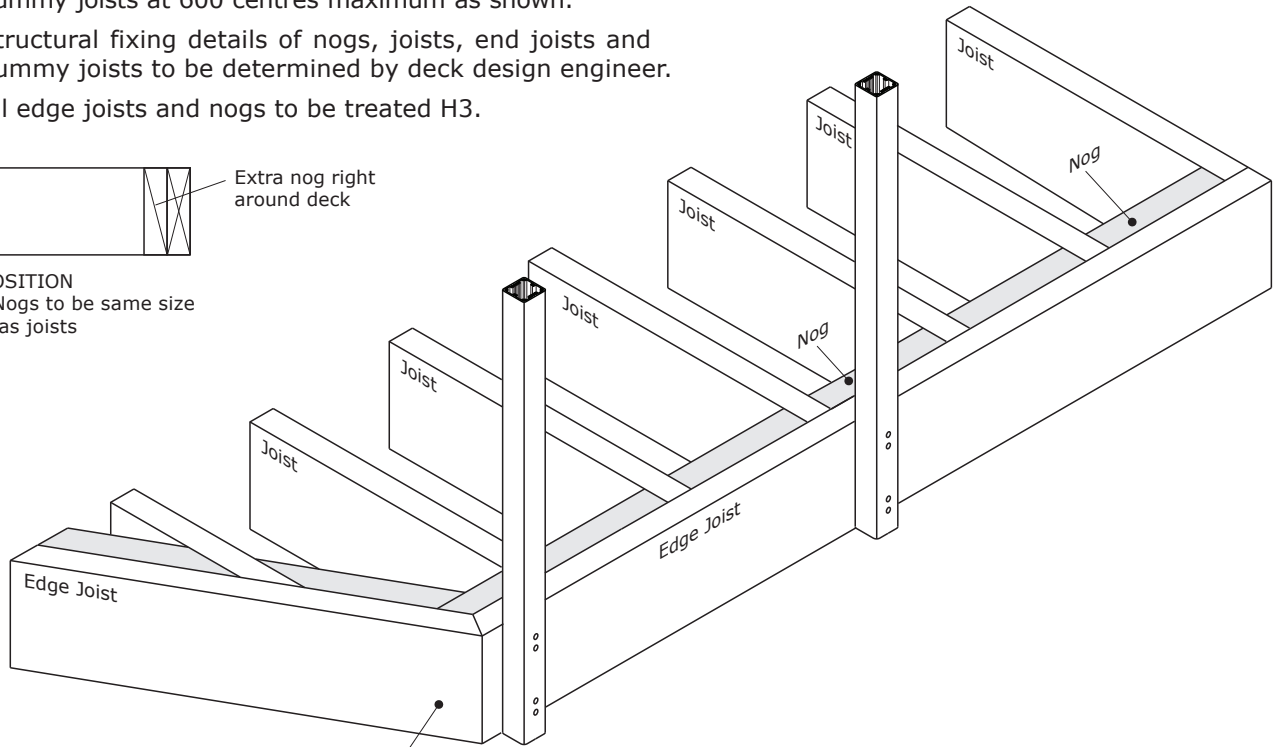
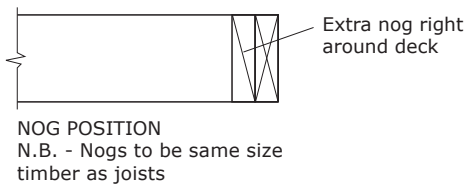


CONSTRUCTION DETAILS FOR SPECIFICATION 4.17.1 & 4.17.2

THIS CONSTRUCTION DETAIL ALSO APPLIES TO SPECIFICATIONS 4.12.1, 4.12.2, 4.17.6 AND 4.17.9.

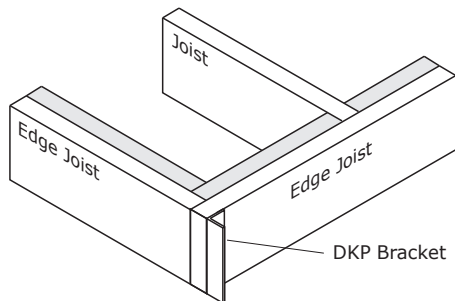
NOTES:

1. Timber decks must be nogged at framing stage for the post fixing requirements.
2. Provide an extra continuous Edge Joist right around the deck edge as shown.
3. Where edge joists are parallel to the main joists, provide dummy joists at 600 centres maximum as shown.
4. Structural fixing details of nogs, joists, end joists and dummy joists to be determined by deck design engineer.
5. All edge joists and nogs to be treated H3.

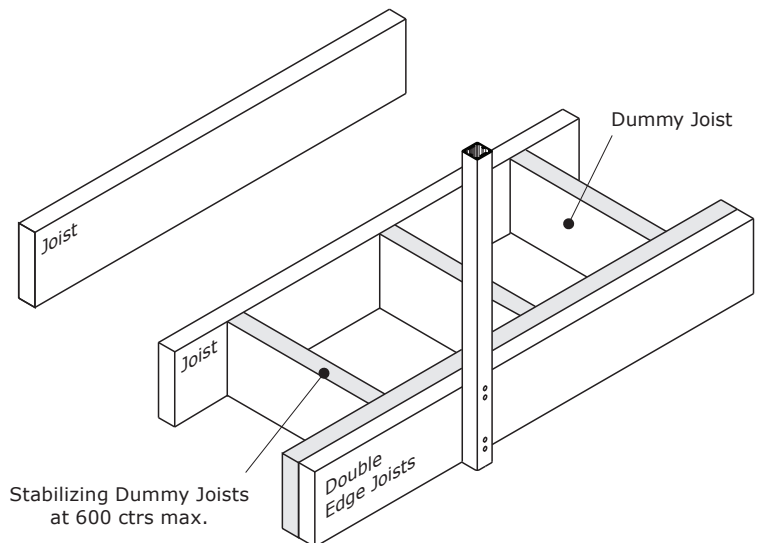


JOISTS PERPENDICULAR TO EDGE JOIST

For non-90° corners, solid nog each way parallel to edge joists as shown above:  
 For 90° corners, solid nog as shown below:



NOGS FOR 90° CORNER



JOISTS PARALLEL TO EDGE JOIST