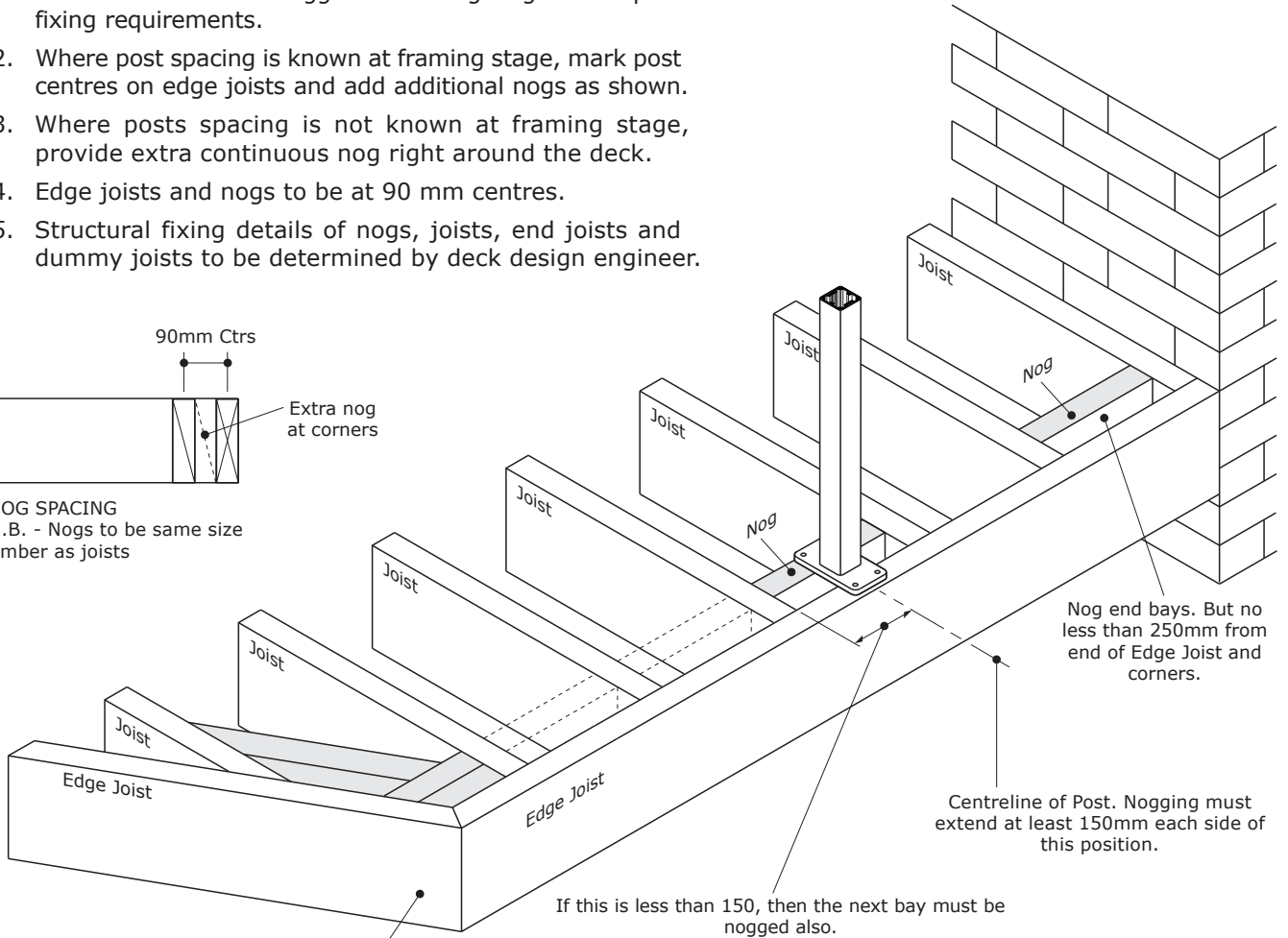
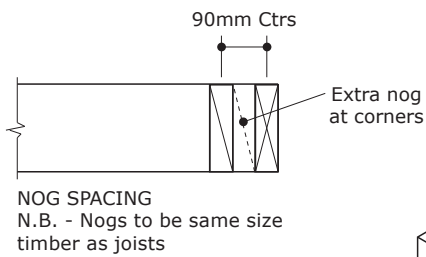


CONSTRUCTION DETAILS FOR SPECIFICATION 4.11.1 & 4.11.2

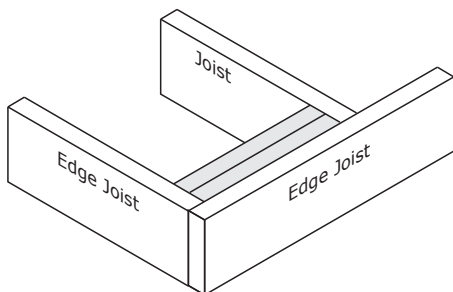
NOTES:

1. Timber decks must be noggged at framing stage to suit post fixing requirements.
2. Where post spacing is known at framing stage, mark post centres on edge joists and add additional nogs as shown.
3. Where posts spacing is not known at framing stage, provide extra continuous nog right around the deck.
4. Edge joists and nogs to be at 90 mm centres.
5. Structural fixing details of nogs, joists, end joists and dummy joists to be determined by deck design engineer.

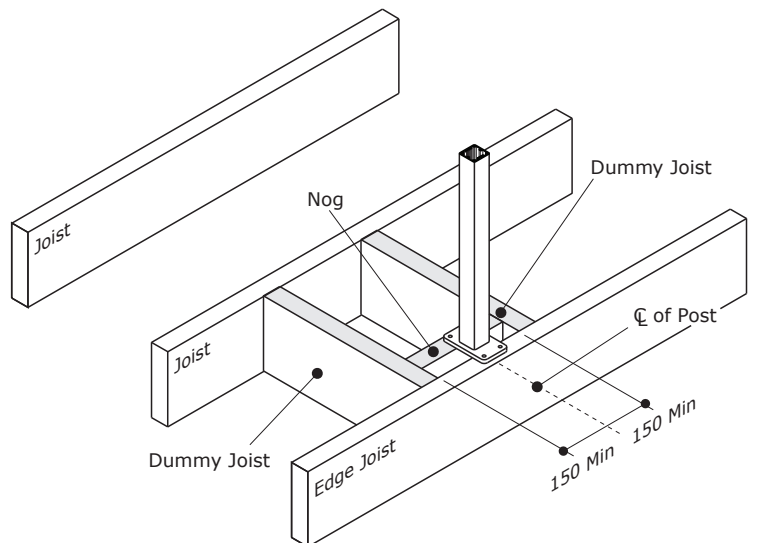


JOISTS PERPENDICULAR TO EDGE JOIST

For non-90° corners, solid nog each way parallel to edge joists as shown above:
For 90° corners, solid nog as shown below:



NOGS FOR 90° CORNER



JOISTS PARALLEL TO EDGE JOIST